

## PRODUCT DATA SHEET

---

Part number 678402

---

EAN 4015609130122

Manufacturer WALTHER-WERKE

WEEE-Reg.-Number: DE 22131895

### Product description

---

Waterproof wall appliance inlet for internal fixing  
 125A 4P 2h with two cable entries both top and  
 bottom with terminal set



Similar image

### Detailed product description

---

WALTHER Wall appliance inlet 125A 4P 50-500V 300-500Hz 2h IP67  
 made from PA6 material  
 for internal fixing  
 1xM50 and 1xM20 top cable entries  
 and 2xM40 bottom cable entries  
 with terminal set 4x50 qmm

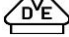

### Ordering Information

---

|                         |          |
|-------------------------|----------|
| Order unit              | Piece    |
| Customs number          | 85366990 |
| Net weight              | 3,005 kg |
| Packing quantity (VPE)  | 1        |
| Length of the packaging |          |
| Width of the packaging  |          |
| Depth of the packaging  |          |
| Gross weight(VPE)       | 3,005 kg |

### Certificates

---

|                   |                       |   |
|-------------------|-----------------------|---|
| VDE certification | 123030                |  |
| EAC certification | BY112.02.01.020 06091 |  |

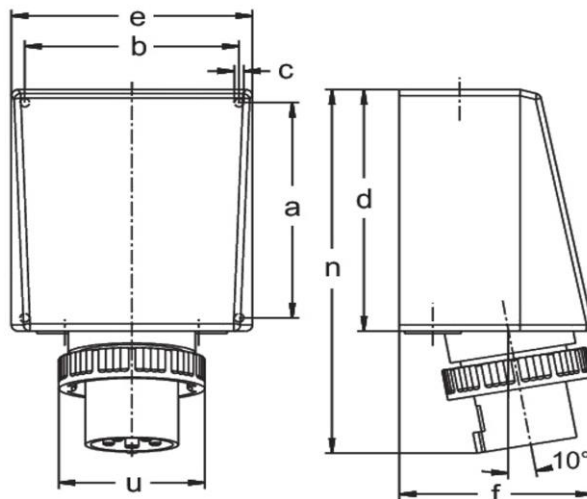
## Classification system

|                       |          |
|-----------------------|----------|
| Classification system | ETIM_6.0 |
| ETIM Class            | EC001319 |

## Technical product data

|                                       |                              |
|---------------------------------------|------------------------------|
| IEC-amperage                          | 125 A                        |
| Amperage acc. UL/CSA (for UL-version) | 100 A                        |
| Number of poles                       | 4                            |
| Voltage acc. EN 60309-2               | 50-500 V (>300-500 Hz) green |
| Clock hour position                   | 2 h                          |
| Identification colour                 | Green                        |
| RAL-number                            | 6025                         |
| Degree of protection (IP)             | IP67                         |
| Connection system                     | Screwed terminal             |
| Connection type                       | Wall mounted plug            |
| Angle of plug                         | Angled                       |
| Material                              | Plastic                      |

## Dimension sheet



| Amp. | 125   |       |       |
|------|-------|-------|-------|
| Pole | 3     | 4     | 5     |
| a    | 240   | 240   | 240   |
| b    | 200   | 200   | 200   |
| c    | 7     | 7     | 7     |
| d    | 263   | 263   | 263   |
| e    | 220   | 220   | 220   |
| f    | 175   | 175   | 175   |
| n    | 390   | 390   | 390   |
| u    | 130   | 130   | 130   |
| M1   | 50/20 | 50/20 | 50/20 |
| M2   | 40    | 40    | 40    |