

## PRODUCT DATA SHEET

---

Part number	6784100K
EAN	4015609170203
Manufacturer	WALTHER-WERKE
WEEE-Reg.-Number:	DE 22131895

### Product description

---

Waterproof wall appliance inlet for internal fixing  
 125A 4P 10h with two cable entries both top and  
 bottom without terminal set



Similar image

### Detailed product description

---

WALTHER Wall appliance inlet 125A 4P 50-500V 100-300Hz 10h IP67  
 made from PA6 material  
 for internal fixing  
 1xM50 and 1xM20 top cable entries  
 and 2xM40 bottom cable entries  
 without terminal set

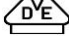

### Ordering Information

---

Order unit	Piece
Customs number	85366990
Net weight	1,455 kg
Packing quantity (VPE)	1
Length of the packaging	
Width of the packaging	
Depth of the packaging	
Gross weight(VPE)	1,455 kg

### Certificates

---

VDE certification	123030	
EAC certification	BY112.02.01.020 06091	

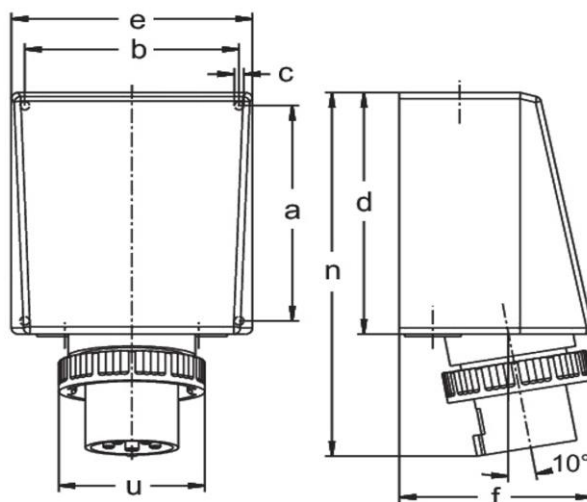
## Classification system

Classification system	ETIM_6.0
ETIM Class	EC001319

## Technical product data

IEC-amperage	125 A
Amperage acc. UL/CSA (for UL-version)	100 A
Number of poles	4
Voltage acc. EN 60309-2	50-500 V (100-300 Hz) green
Clock hour position	10 h
Identification colour	Green
RAL-number	6025
Degree of protection (IP)	IP67
Connection system	Screwed terminal
Connection type	Wall mounted plug
Angle of plug	Angled
Material	Plastic

## Dimension sheet



Amp.	125		
Pole	3	4	5
a	240	240	240
b	200	200	200
c	7	7	7
d	263	263	263
e	220	220	220
f	175	175	175
n	390	390	390
u	130	130	130
M1	50/20	50/20	50/20
M2	40	40	40