

PRODUCT DATA SHEET

Part number 7219509

EAN 4015609150182

Manufacturer WALTHER-WERKE

WEEE-Reg.-Number: DE 22131895

Product description

Waterproof CEPro Plug 16A 5P 9h with cable gland



Similar image

Detailed product description

WALTHER CEPro Plug 16A 5P 230V 9h IP67

made from PA6 material

for maximum nine control contacts

with cable gland

a compact solution for power and control

Ordering Information

Order unit	Piece
Customs number	85366990
Net weight	0,207 kg
Packing quantity (VPE)	10
Length of the packaging	
Width of the packaging	
Depth of the packaging	
Gross weight(VPE)	2,07 kg

Classification system

Classification system ETIM_6.0

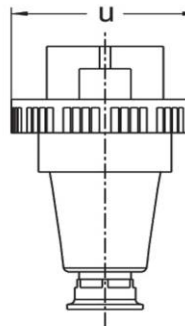
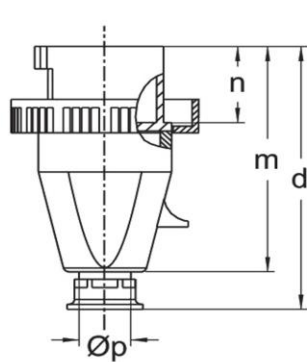
ETIM Class

EC000140

Technical product data

IEC-amperage	16 A
Number of poles	5
Voltage acc. EN 60309-2	230 V (50+60 Hz) blue
Clock hour position	9 h
Identification colour	Blue
RAL-number	5002
Degree of protection (IP)	IP67
Connection system	Screwed terminal
Cable entry	Swivel
Angle of plug	Straight
Material	Plastic

Dimension sheet



Amp.	16		32
Pole	3	5	5
d	126	139	166
m	110	114	135
n	37	37	46
u	72	88	103
Øp	7,5-12,5	10-19,5	18-24,5