

PRODUCT DATA SHEET

Part number 7239504

EAN 4015609150212

Manufacturer WALTHER-WERKE

WEEE-Reg.-Number: DE 22131895

Product description

Waterproof CEPro Plug 32A 5P 4h with cable gland



Similar image

Detailed product description

WALTHER CEPro Plug 32A 5P 110V 4h IP67

made from PA6 material

for maximum ten control contacts

with cable gland

a compact solution for power and control

Ordering Information

Order unit	Piece
Customs number	85366990
Net weight	0,314 kg
Packing quantity (VPE)	10
Length of the packaging	
Width of the packaging	
Depth of the packaging	
Gross weight(VPE)	3,14 kg

Classification system

Classification system ETIM_6.0

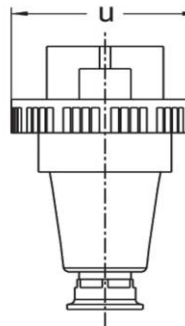
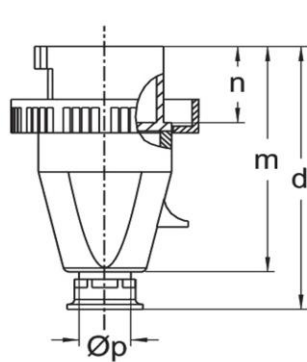
ETIM Class

EC000140

Technical product data

IEC-amperage	32 A
Number of poles	5
Voltage acc. EN 60309-2	110 V (50+60 Hz) yellow
Clock hour position	4 h
Identification colour	Yellow
RAL-number	1018
Degree of protection (IP)	IP67
Connection system	Screwed terminal
Cable entry	Swivel
Angle of plug	Straight
Material	Plastic

Dimension sheet



Amp.	16		32
Pole	3	5	5
d	126	139	166
m	110	114	135
n	37	37	46
u	72	88	103
Øp	7,5-12,5	10-19,5	18-24,5