

PRODUCT DATA SHEET

Part number **7239511**

EAN **4015609150236**

Manufacturer **WALTHER-WERKE**

WEEE-Reg.-Number: **DE 22131895**

Product description

Waterproof CEPro Plug 32A 5P 11h with cable gland



Similar image

Detailed product description

WALTHER CEPro Plug 32A 5P 440V 11h IP67

made from PA6 material

for maximum ten control contacts

with cable gland

a compact solution for power and control

Ordering Information

Order unit	Piece
Customs number	85366990
Net weight	0,314 kg
Packing quantity (VPE)	10
Length of the packaging	
Width of the packaging	
Depth of the packaging	
Gross weight(VPE)	3,14 kg

Classification system

Classification system **ETIM_6.0**

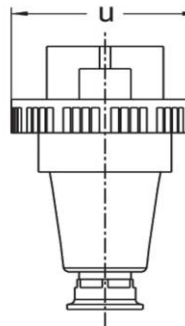
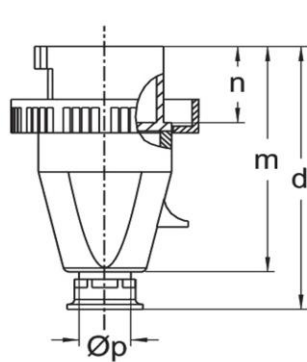
ETIM Class

EC000140

Technical product data

IEC-amperage	32 A
Number of poles	5
Voltage acc. EN 60309-2	400-440 V (50+60 Hz) red
Clock hour position	11 h
Identification colour	Red
RAL-number	3000
Degree of protection (IP)	IP67
Connection system	Screwed terminal
Cable entry	Swivel
Angle of plug	Straight
Material	Plastic

Dimension sheet



Amp.	16		32
Pole	3	5	5
d	126	139	166
m	110	114	135
n	37	37	46
u	72	88	103
Øp	7,5-12,5	10-19,5	18-24,5