

PRODUCT DATA SHEET

Part number 7619306

EAN 4015609150731

Manufacturer WALTHER-WERKE

WEEE-Reg.-Number: DE 22131895

Product description

Waterproof CEPro Panel appliance inlet angled
 16A 3P 6h with screwed flange 52x65mm



Product image

Detailed product description

WALTHER CEPro Panel appliance inlet 16A 3P 230V 6h IP67
 made from PA6 material
 angled
 for maximum six control contacts
 with screwed flange
 a compact solution for power and control
 flange 52x65mm
 fixing center 30x55mm

Ordering Information

Order unit	Piece
Customs number	85366990
Net weight	0,135 kg
Packing quantity (VPE)	10
Length of the packaging	
Width of the packaging	
Depth of the packaging	
Gross weight(VPE)	1,35 kg

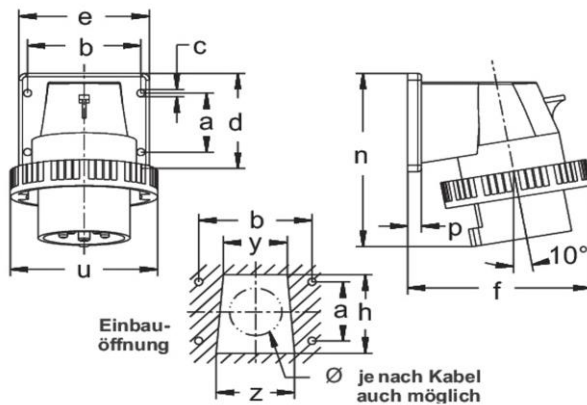
Classification system

Classification system	ETIM_6.0
ETIM Class	EC001319

Technical product data

IEC-ampereage	16 A
Number of poles	3
Voltage acc. EN 60309-2	230 V (50+60 Hz) blue
Clock hour position	6 h
Identification colour	Blue
RAL-number	5002
Degree of protection (IP)	IP67
Connection system	Screwed terminal
Connection type	Wall mounted plug
Angle of plug	Angled
Material	Plastic

Dimension sheet



Amp.	16		32
Pole	3	5	5
a	30	40	45
b	55	68	78
c	5,5	5,5	5,5
d	52	66	75
e	65	80	90
f	81	103	117
h	38	52	60
n	98	113	131
p	9,5	9,5	9,5
u	72	88	103
y	30	38	44
z	36	46	54