

## PRODUCT DATA SHEET

---

Part number 7639504

---

EAN 4015609150816

Manufacturer WALThER-WERKE

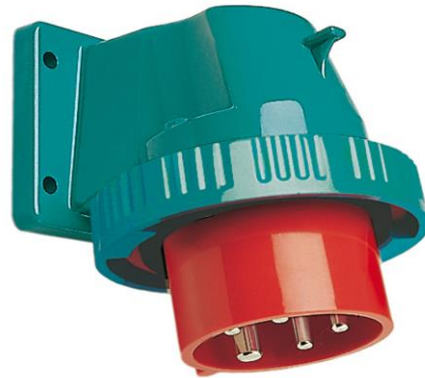
WEEE-Reg.-Number: DE 22131895

---

### Product description

---

Waterproof CEPro Panel appliance inlet angled  
 32A 5P 4h with screwed flange 75x90mm



Similar image

### Detailed product description

---

WALThER CEPro Panel appliance inlet 32A 5P 110V 4h IP67  
 made from PA6 material  
 angled  
 for maximum ten control contacts  
 with screwed flange  
 a compact solution for power and control  
 flange 75x90mm  
 fixing center 45x78mm

### Ordering Information

---

Order unit	Piece
Customs number	85366990
Net weight	0,335 kg
Packing quantity (VPE)	5
Length of the packaging	
Width of the packaging	
Depth of the packaging	
Gross weight(VPE)	1,675 kg

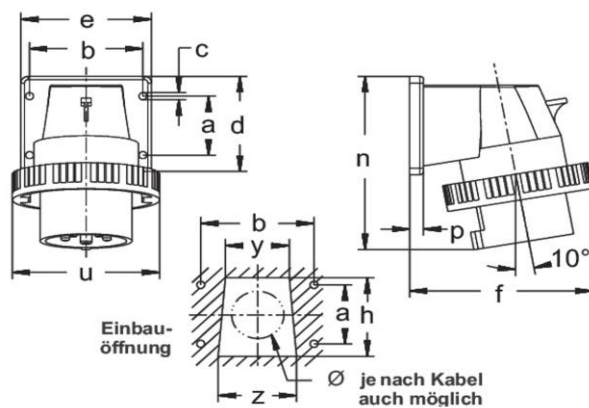
## Classification system

Classification system	ETIM_6.0
ETIM Class	EC001319

## Technical product data

IEC-ampereage	32 A
Number of poles	5
Voltage acc. EN 60309-2	110 V (50+60 Hz) yellow
Clock hour position	4 h
Identification colour	Yellow
RAL-number	1018
Degree of protection (IP)	IP67
Connection system	Screwed terminal
Connection type	Wall mounted plug
Angle of plug	Angled
Material	Plastic

## Dimension sheet



Amp.	16		32
Pole	3	5	5
a	30	40	45
b	55	68	78
c	5,5	5,5	5,5
d	52	66	75
e	65	80	90
f	81	103	117
h	38	52	60
n	98	113	131
p	9,5	9,5	9,5
u	72	88	103
y	30	38	44
z	36	46	54