

## PRODUCT DATA SHEET

---

Part number 7639507

---

EAN 4015609250608

Manufacturer WALThER-WERKE

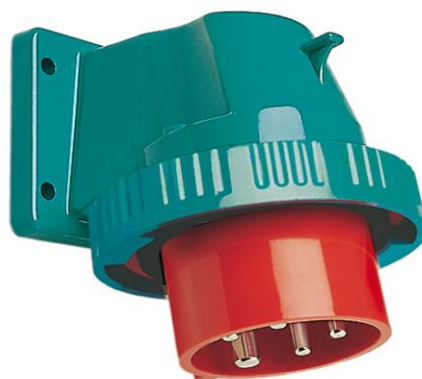
WEEE-Reg.-Number: DE 22131895

---

### Product description

---

Waterproof CEPro Panel appliance inlet angled  
 32A 5P 7h with screwed flange 75x90mm



Similar image

### Detailed product description

---

WALThER CEPro Panel appliance inlet 32A 5P 500V 7h IP67

made from PA6 material

angled

for maximum ten control contacts

with screwed flange

a compact solution for power and control

flange 75x90mm

fixing center 45x78mm

### Ordering Information

---

Order unit	Piece
Customs number	85366990
Net weight	0,335 kg
Packing quantity (VPE)	5
Length of the packaging	
Width of the packaging	
Depth of the packaging	
Gross weight(VPE)	1,675 kg

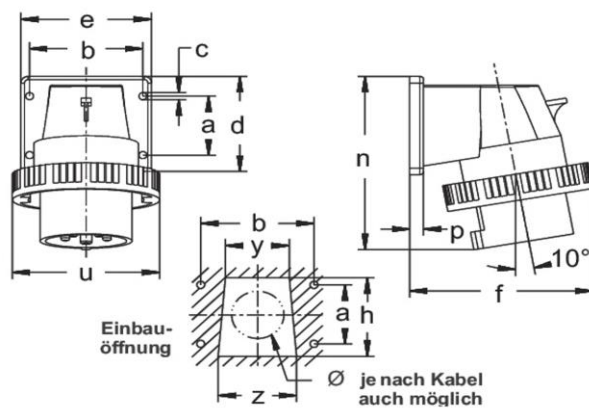
## Classification system

Classification system	ETIM_6.0
ETIM Class	EC001319

## Technical product data

IEC-amperage	32 A
Number of poles	5
Voltage acc. EN 60309-2	500 V (50+60 Hz) black
Clock hour position	7 h
Identification colour	Black
RAL-number	9005
Degree of protection (IP)	IP67
Connection system	Screwed terminal
Connection type	Wall mounted plug
Angle of plug	Angled
Material	Plastic

## Dimension sheet



Amp.	16		32
Pole	3	5	5
a	30	40	45
b	55	68	78
c	5,5	5,5	5,5
d	52	66	75
e	65	80	90
f	81	103	117
h	38	52	60
n	98	113	131
p	9,5	9,5	9,5
u	72	88	103
y	30	38	44
z	36	46	54